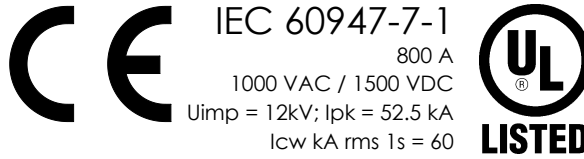


SBF2C630AL

561173

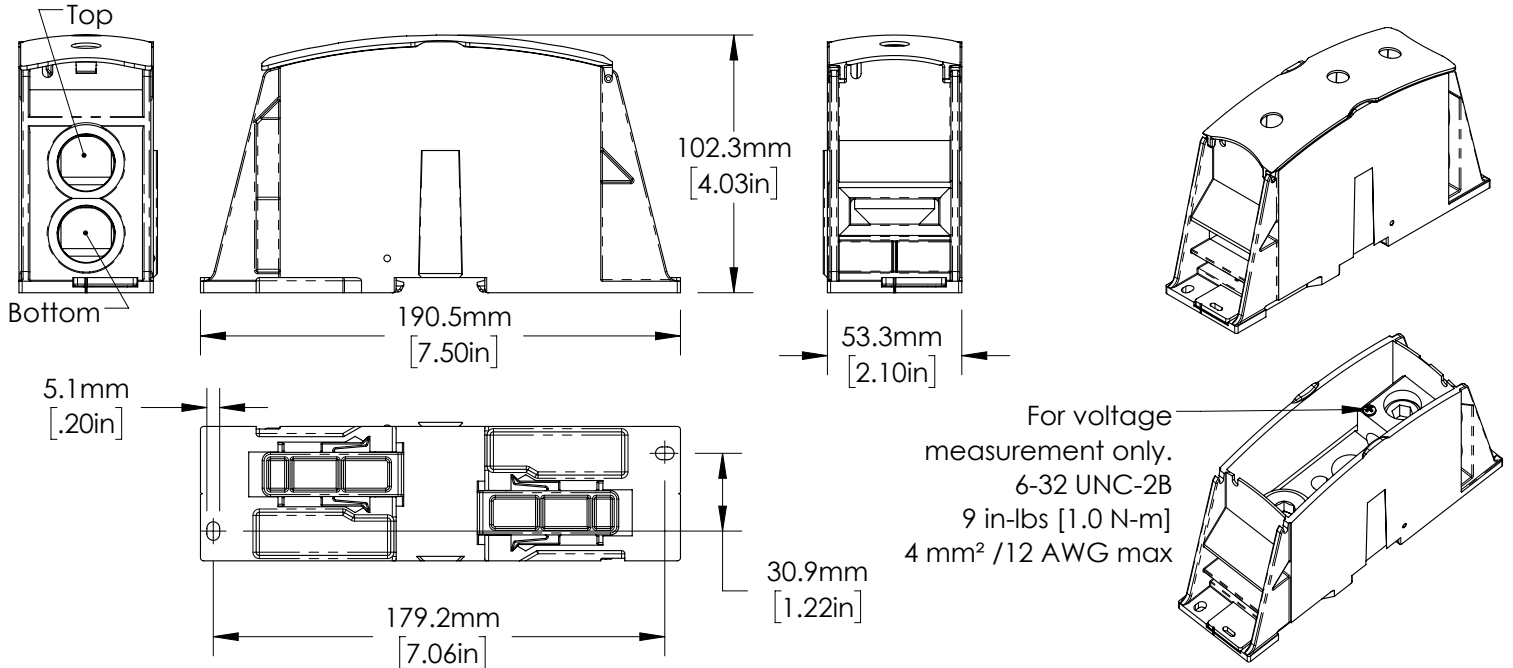


IEC 60947-7-1
800 A
1000 VAC / 1500 VDC
I_{imp} = 12kV; I_{pk} = 52.5 kA
I_{cw} kA rms 1s = 60



UL 1953
760 A
1000 V AC/DC
SCCR up to 100kA*

AL or CU Conductor
IP20
95% Fill Ratio
Halogen Free
UL 94 V-0



IEC 60947-7-1

	No. Terminals	Conductor	Size	Ø DIA	Torque	Strip Length	Hex
	1	ERIFLEX FLEXIBAR** [ERIFLEX IBSB]	2X20X1 to 8X32X1 [100 to 240 mm²]	N/A	42.4 N-m	51.5 mm	10 mm
	1 (Top)		35 mm² to 240 mm²	22 mm		36 mm	
	1 (Bottom)					72 mm	

UL 1953

	No. Terminals	Conductor	Size	Ø DIA	Torque	Strip Length	Hex
	1	ERIFLEX FLEXIBAR** [ERIFLEX IBSB]	2X20X1 to 8X32X1 [100 to 240 mm²]	N/A	375 in-lbs	2.00 in	3/8 in
	1 (Top)		2 AWG to 500 kcmil	0.87 in		1.42 in	
	1 (Bottom)					2.83 in	

NOTE:

1. *Refer to UL file E497276.
2. ** Includes ERIFLEX FLEXIBAR Advanced.
3. For multiple phase assemblies, join blocks together before installing onto DIN profile.
4. When mounted on DIN profile, end stops should be used on both ends of gangable blocks.
5. For IEC, the cable must be secured within 15 cm of the terminal.

WARNING:

1. nVent products shall be installed and used only as indicated in nVent product instruction sheets and training materials. Instruction sheets are available at www.nVent.com and from your nVent customer service representative.
2. nVent products must never be used for a purpose other than the purpose for which they were designed or in a manner that exceeds specified load ratings.
3. All instructions must be completely followed to ensure proper and safe installation and performance.
4. Improper installation, misuse, misapplication or other failure to completely follow nVent's instructions and warnings may cause product malfunction, property damage, serious bodily injury and/or death, and void your warranty.

SAFETY INSTRUCTIONS:

All governing codes and regulations and those required by the job site must be observed. Always use appropriate safety equipment such as eye protection, hard hat, and gloves as appropriate to the application.

nVent, CADDY, ERICO CADWELD, ERICO CRITEC, ERICO, ERIFLEX, and LENTON are owned by nVent or its global affiliates. All other trademarks are the property of their respective owners. nVent reserves the right to change specifications without prior notice.